

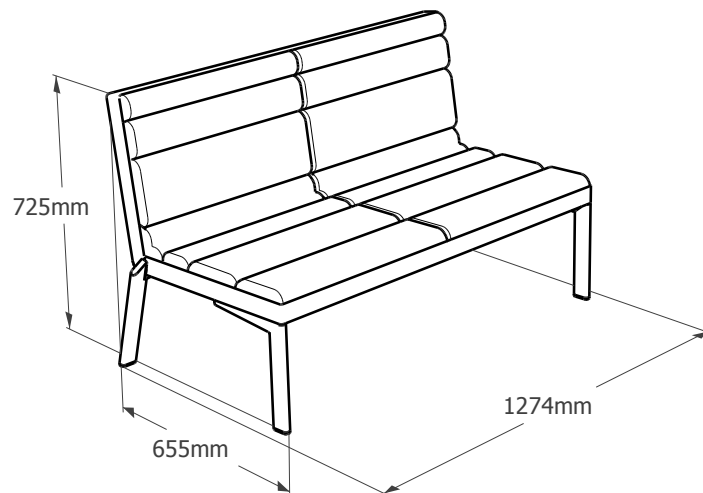
# The « Pierre » Range two seater armchair



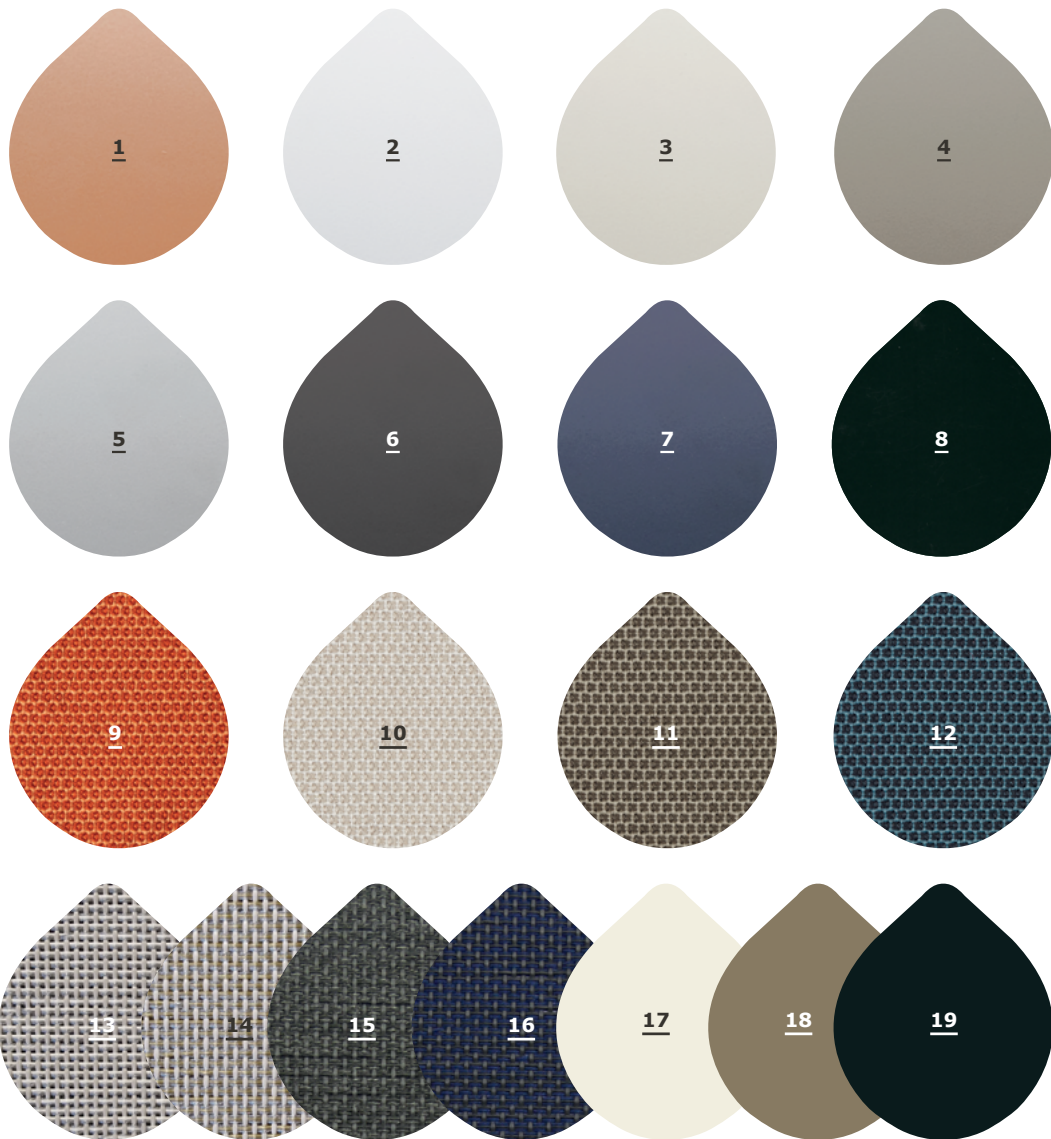
The Pierre two seater armchair is composed of an aluminium structure with a matt lacquered finish. The removable seat and back cushions are woven onto the frame providing comfort and a generously cushioned surface. A fold in the back acts as a grip. The low chair can

be customized with a selection of 11 indoor and outdoor fabrics.

Exists in two seater low chair version.



# colors & fabrics



**1 GRANIT ROSE** MATT FINISH    **2 TUFFEAU** MATT FINISH    **3 ARGILE DU VELAY** MATT FINISH    **4 SABLE D'AQUITAINE** MATT FINISH  
**5 LAUZE** MATT FINISH    **6 TERRES BRÛLÉES** MATT FINISH    **7 BLEU SAPHIR** MATT FINISH    **8 VERT SAPIN** MATT FINISH  
**9 SWING 52108 (S1)\***    **10 SWING 51807 (S2)\***    **11 SWING 51706 (S3)\***  
**12 SWING 52815 (S4)\***    **13 BATYLINE 562 (B1)\*\***    **14 BATYLINE 563 (B2)\*\***    **15 BATYLINE 555 (B3)\*\***  
**16 BATYLINE 557 (B4)\*\***    **17 STAMSKIN ONE 20231 (O1)\*\***    **18 STAMSKIN ONE 20237 (O2)\*\***    **19 STAMSKIN ONE 0002 (O3)\*\***

\*WOOL 54% RECYCLED POLYETHYLENE 44% POLYAMIDE 2%    \*\*OUTDOOR

# REICA

Impasse des prairies - 69400 Arnas