

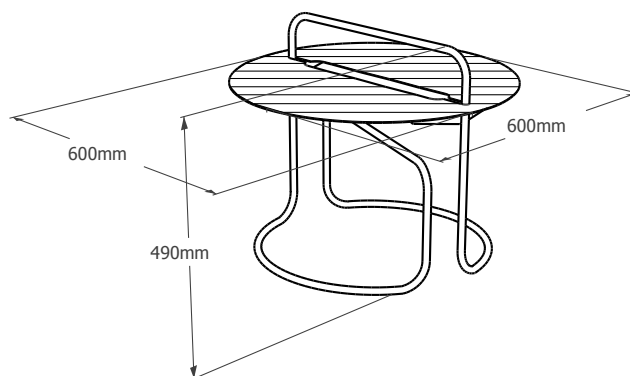
The « Sillages » Range side table



The Sillages side table is composed of two materials. Its legs are made of fine textured epoxy lacquered steel. Its top with micro-folded surface is made of fine textured epoxy lacquered aluminium. It can be customized

with a top made of sheet metal or marble effect ceramic.

Available in the full palette of Reica colours. Model suitable for indoors and outdoors.



colors & materials



1 GRANIT ROSE FINE TEXTURED FINISH **2 TUFFEAU** FINE TEXTURED FINISH **3 ARGILE DU VELAY** FINE TEXTURED FINISH
4 SABLE D'AQUITAINE FINE TEXTURED FINISH **5 LAUZE** FINE TEXTURED FINISH **6 TERRES BRÛLÉES** FINE TEXTURED FINISH
7 BLEU SAPHIR FINE TEXTURED FINISH **8 VERT SAPIN** FINE TEXTURED FINISH **9 CERAMIC** MARBLE ASPECT

REICA

Impasse des prairies - 69400 Arnas