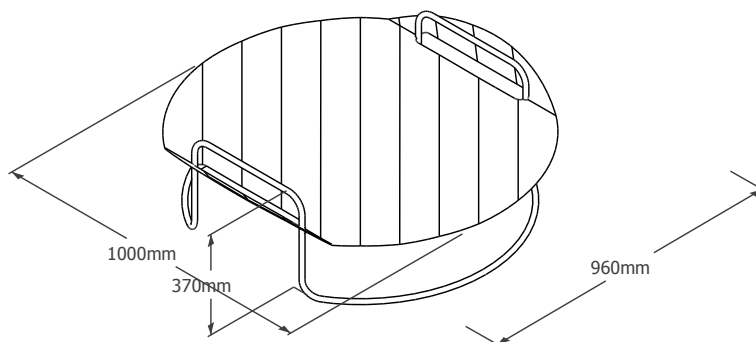


The « Sillages » Range large coffee table



The Sillages coffee table is composed of two materials. Its legs are made of fine textured epoxy lacquered steel. Its top with micro-folded surface is made of fine textured epoxy lacquered aluminium. Available in the full

palette of Reica colours. Model suitable for indoors and outdoors.



colors



1 GRANIT ROSE FINE TEXTURED FINISH **2 TUFFEAU** FINE TEXTURED FINISH
3 ARGILE DU VELAY FINE TEXTURED FINISH **4 SABLE D'AQUITAINE** FINE TEXTURED FINISH **5 LAUZE** FINE TEXTURED FINISH
6 TERRES BRÛLÉES FINE TEXTURED FINISH **7 BLEU SAPHIR** FINE TEXTURED FINISH **8 VERT SAPIN** FINE TEXTURED FINISH

REICA

Impasse des prairies - 69400 Arnas