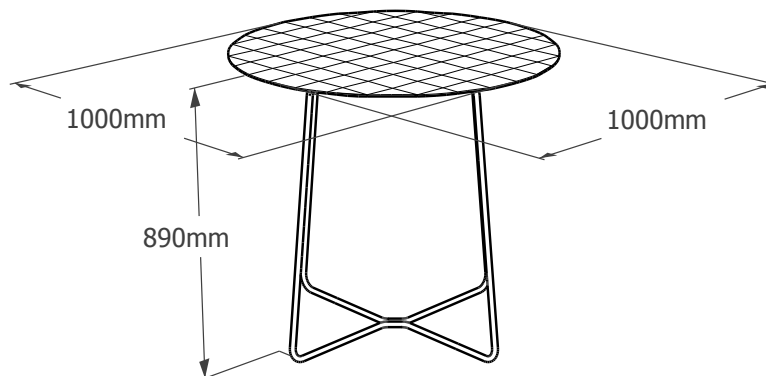


The « Sillages » Range high bistro table



The Sillages high bistro table has a counter height of 90 cm and is compatible with the Sillages low stools. It is composed of two materials. Its legs are made of fine textured epoxy lacquered steel and are adjustable. Its table top is made of fine textured epoxy

lacquered aluminium and has an additional folding detail. The table can be customized with a top made of sheet metal or marble effect ceramic. It is available in the full palette of Reica colours. Model suitable for indoors and outdoors.



colors & materials



1 GRANIT ROSE FINE TEXTURED FINISH **2 TUFFEAU** FINE TEXTURED FINISH **3 ARGILE DU VELAY** FINE TEXTURED FINISH
4 SABLE D'AQUITAINE FINE TEXTURED FINISH **5 LAUZE** FINE TEXTURED FINISH **6 TERRES BRÛLÉES** FINE TEXTURED FINISH
7 BLEU SAPHIR FINE TEXTURED FINISH **8 VERT SAPIN** FINE TEXTURED FINISH **9 CERAMIC** MARBLE ASPECT

REICA

Impasse des prairies - 69400 Arnas