

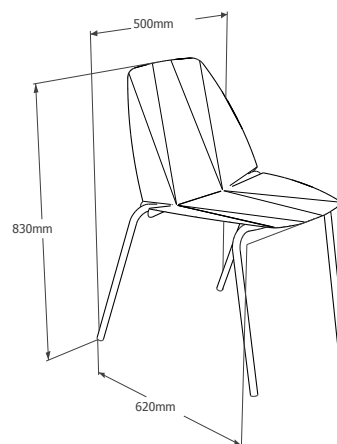
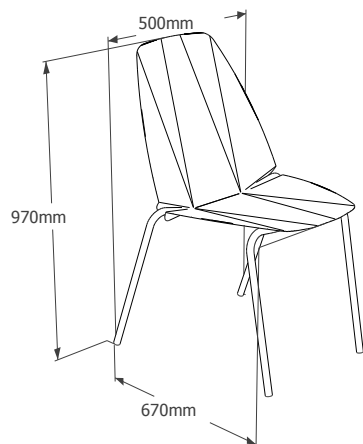
The « Sillages » Range chair



The Sillages chair is stackable. It is composed of two materials. Its legs are made of fine textured epoxy lacquered steel. The seat is made of fine textured epoxy lacquered aluminium. It is available in the full palette of Reica colours.

Model suitable for indoors and outdoors. Optional seat cushion available.

The chair comes with a high or low back.



colors



1 GRANIT ROSE FINE TEXTURED FINISH **2 TUFFEAU** FINE TEXTURED FINISH

3 ARGILE DU VELAY FINE TEXTURED FINISH **4 SABLE D'AQUITAINE** FINE TEXTURED FINISH **5 LAUZE** FINE TEXTURED FINISH

6 TERRES BRÛLÉES FINE TEXTURED FINISH **7 BLEU SAPHIR** FINE TEXTURED FINISH **8 VERT SAPIN** FINE TEXTURED FINISH

REICA

Impasse des prairies - 69400 Arnas