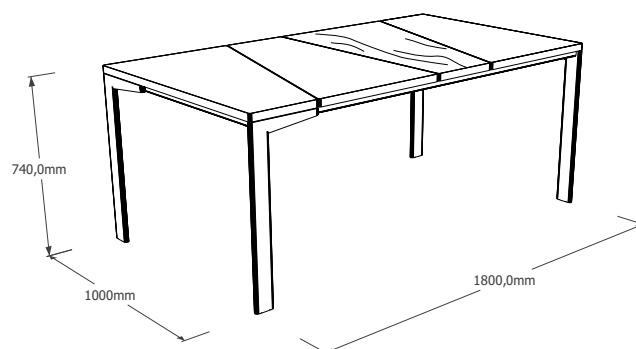


The « Pierre » Range dining table

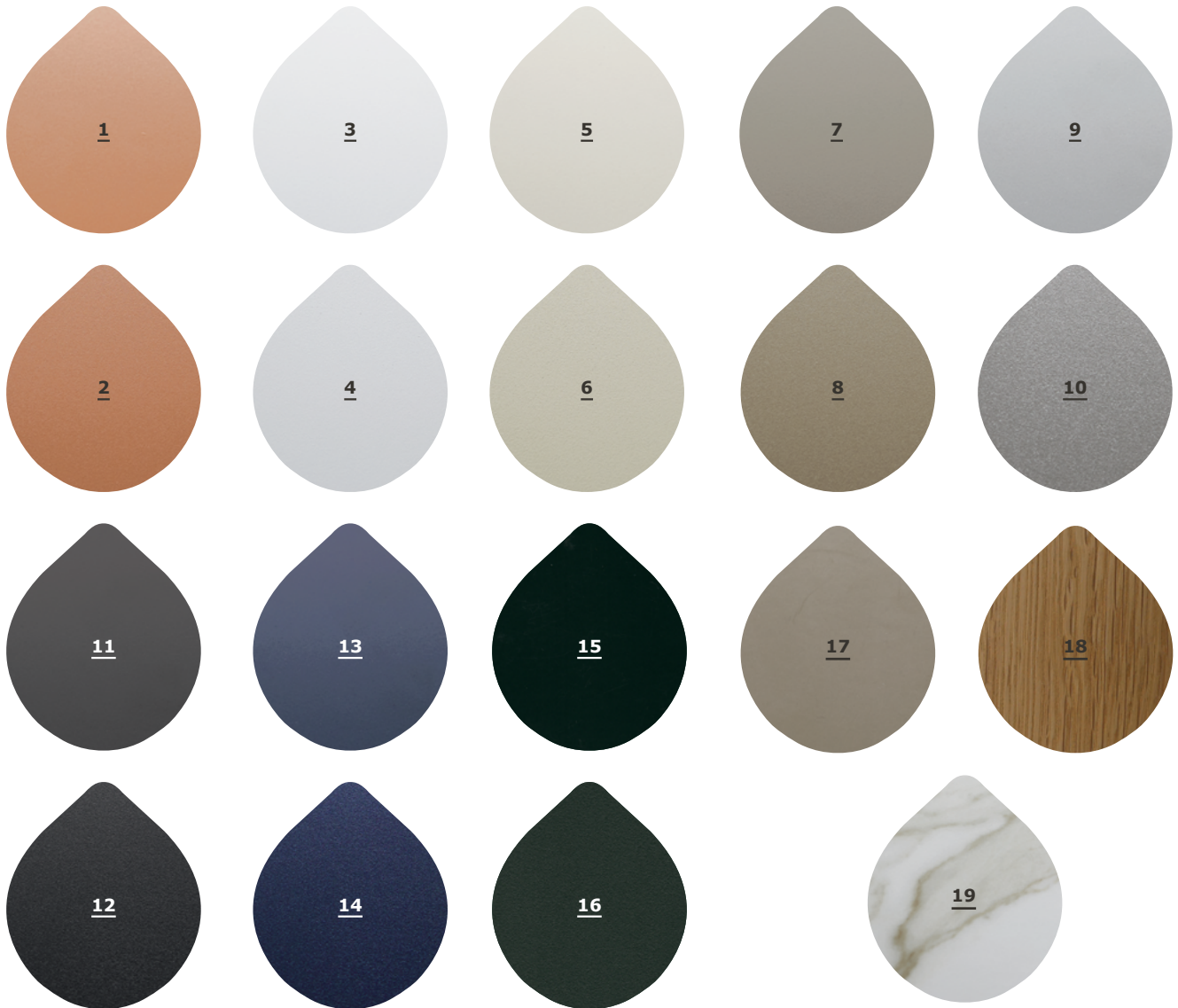


The Pierre dining table has a top made of four parts with alternating matt and fine textured finishes. Each leg is finished to match its corresponding top. The contrasting textures catch the light in interesting ways and are pleasing to the touch. The upper part can

be customized by adding a ceramic top with marble effect, a sand coloured rubber top or a natural oak top to the third module. Lacquered steel frame.



colors & materials



- 1 GRANIT ROSE** MATT FINISH **2 GRANIT ROSE** FINE TEXTURED FINISH **3 TUFFEAU** MATT FINISH **4 TUFFEAU** FINE TEXTURED FINISH
5 ARGILE DU VELAY MATT FINISH **6 ARGILE DU VELAY** FINE TEXTURED FINISH **7 SABLE D'AQUITAINE** MATT FINISH
8 SABLE D'AQUITAINE FINE TEXTURED FINISH **9 LAUZE** MATT FINISH **10 LAUZE** FINE TEXTURED FINISH
11 TERRES BRÛLÉES MATT FINISH **12 TERRES BRÛLÉES** FINE TEXTURED FINISH **13 BLEU SAPHIR** MATT FINISH
14 BLEU SAPHIR FINE TEXTURED FINISH **15 VERT SAPIN** MATT FINISH **16 VERT SAPIN** FINE TEXTURED FINISH
17 NATURAL RUBBER AQUITAINE SAND COLOUR **18 NATURAL OAK** **19 CERAMIC** MARBLE ASPECT

REICA

Impasse des prairies - 69400 Arnas